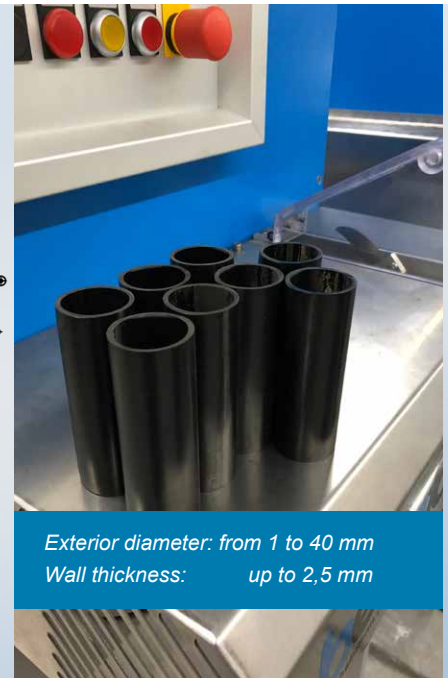
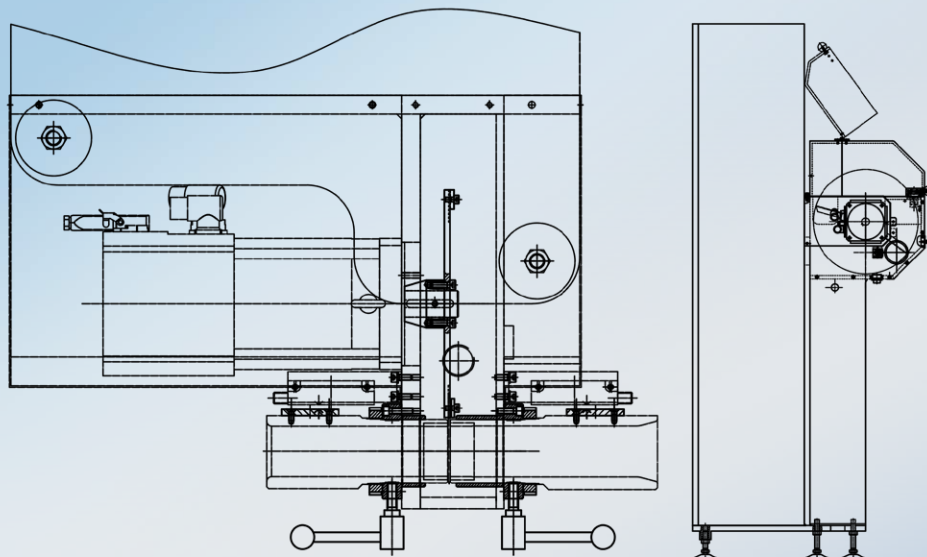


Now also well equipped for larger plastic pipes:

Servo Cutter in reinforced design!

The cutting of plastic pipes with larger diameters and thicker walls places higher demands on cutting devices. Therefore we have further optimized our Servo Cutter: machine frame, cutter bar, cutter holder and servo motor have been reinforced.



Exterior diameter: from 1 to 40 mm
Wall thickness: up to 2,5 mm

Your benefits:

- + **Solid welded machine frame** allows the use of larger guides
- + **Highly dynamic synchronous servo motor** for maximum cutting speed and short cycle times
- + **Continuous and discontinuous operation**
- + **Reinforced cutter bar and cutter holder**
- + **Cutting guidance with quick-change system**
- + **Automatic cutting guidance recognition** via encoded switch
- + **Inline- or insular solution**
- + **Operating hours counter, piece counter**
- + **Scrap cutting**
- + **Language setting** (also chinese)
- + **Remote maintenance** possible on request

Everything from a single source

Thanks to our integration into the **Pütz Group** and the resulting **synergy effects**, we are able to offer you not just machines and systems for plastic processing, but also the appropriate test technology to test surfaces for dimensional accuracy



We offer comprehensive services and know how:



Extrusion plant:

- Mono extrusion lines
- Multi layer extrusion lines
- Smooth pipes up to Ø 50 mm
- Corrugated pipes up to Ø 58 mm
- Own Technical Center



Shear roller mixing systems:

- Melting
- Homogenising
- Dispersing
- Compressing
- Granulating



Service:

- Joint product development
- Advice
- Development
- Maintenance

Less paper! More digital!

Subscribe to our News + Innovations in an electronic format and help us to protect the environment.



Bellaform GmbH
Marie-Curie-Straße 14
55435 Gau-Algesheim
GERMANY

info@bellaform.com
Phone: +49 6725 91925-0
Fax: +49 6725 91925-200
www.bellaform.com